



VOLVO

service-
ritningar·drawings

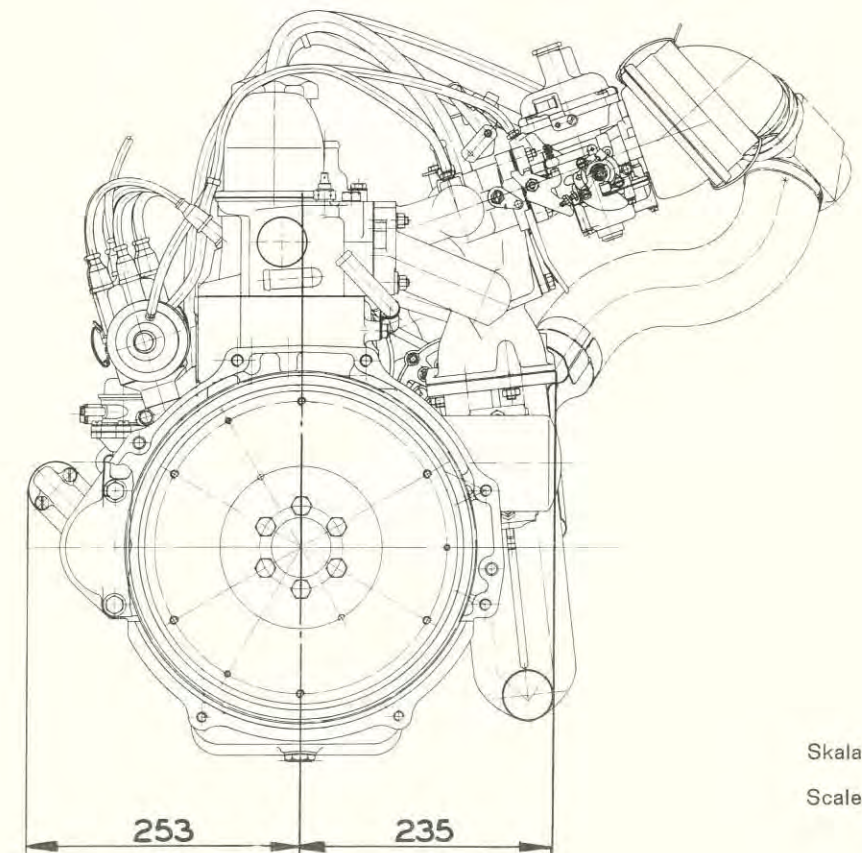
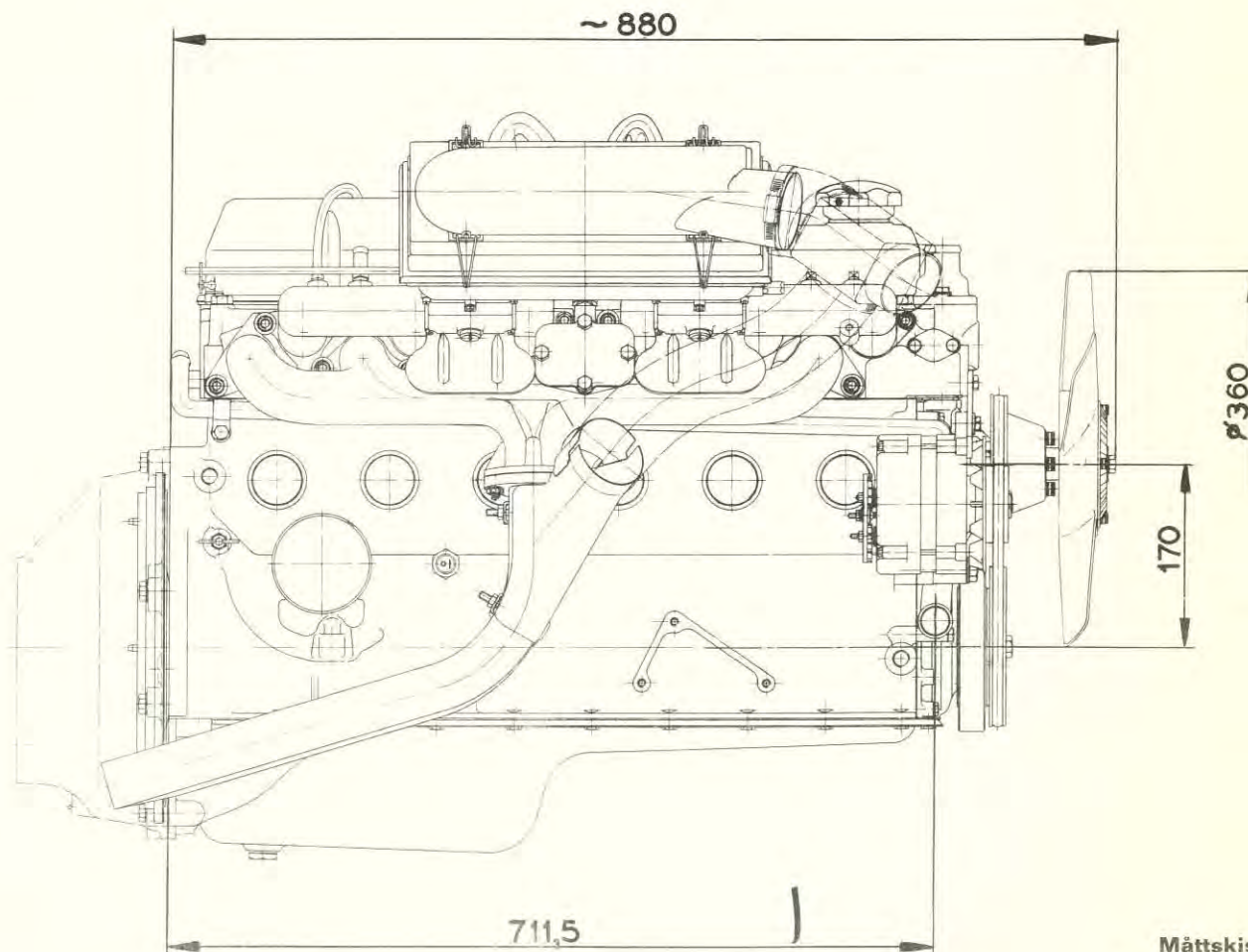
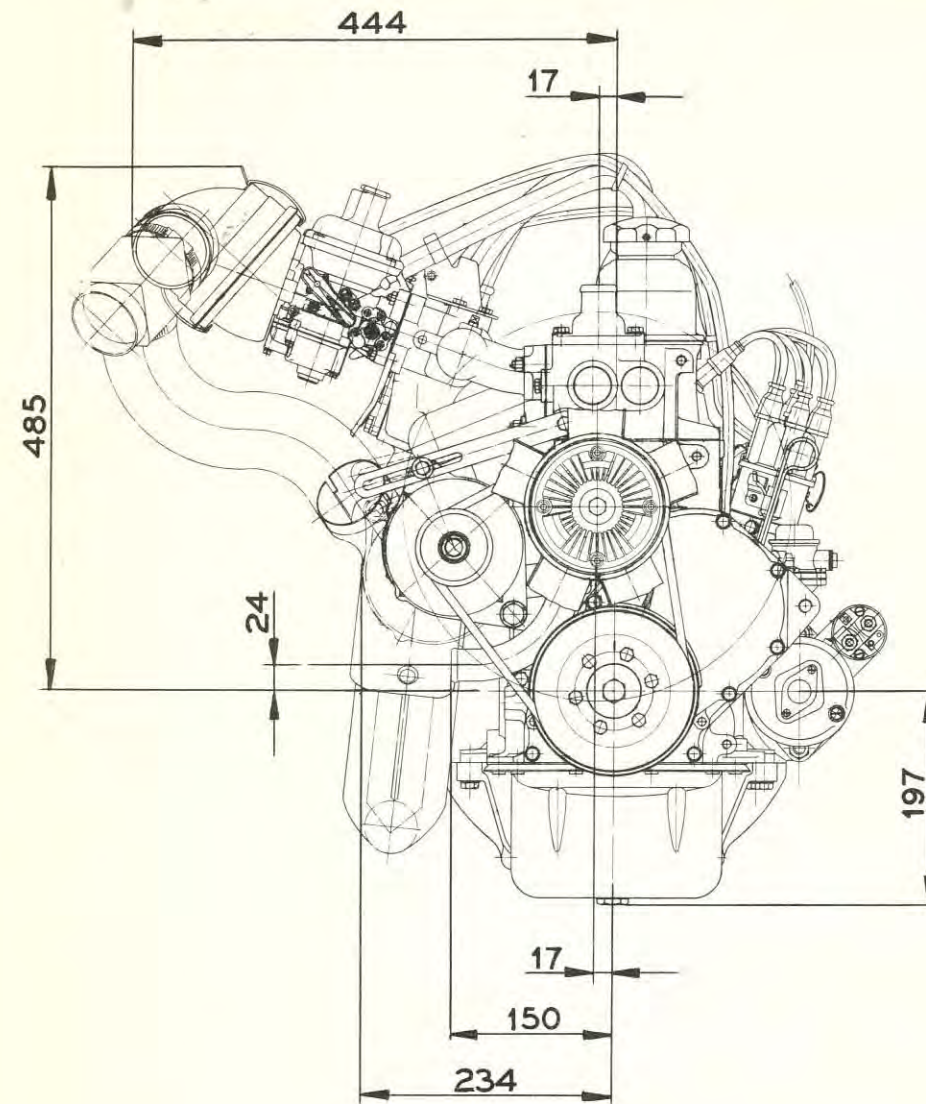
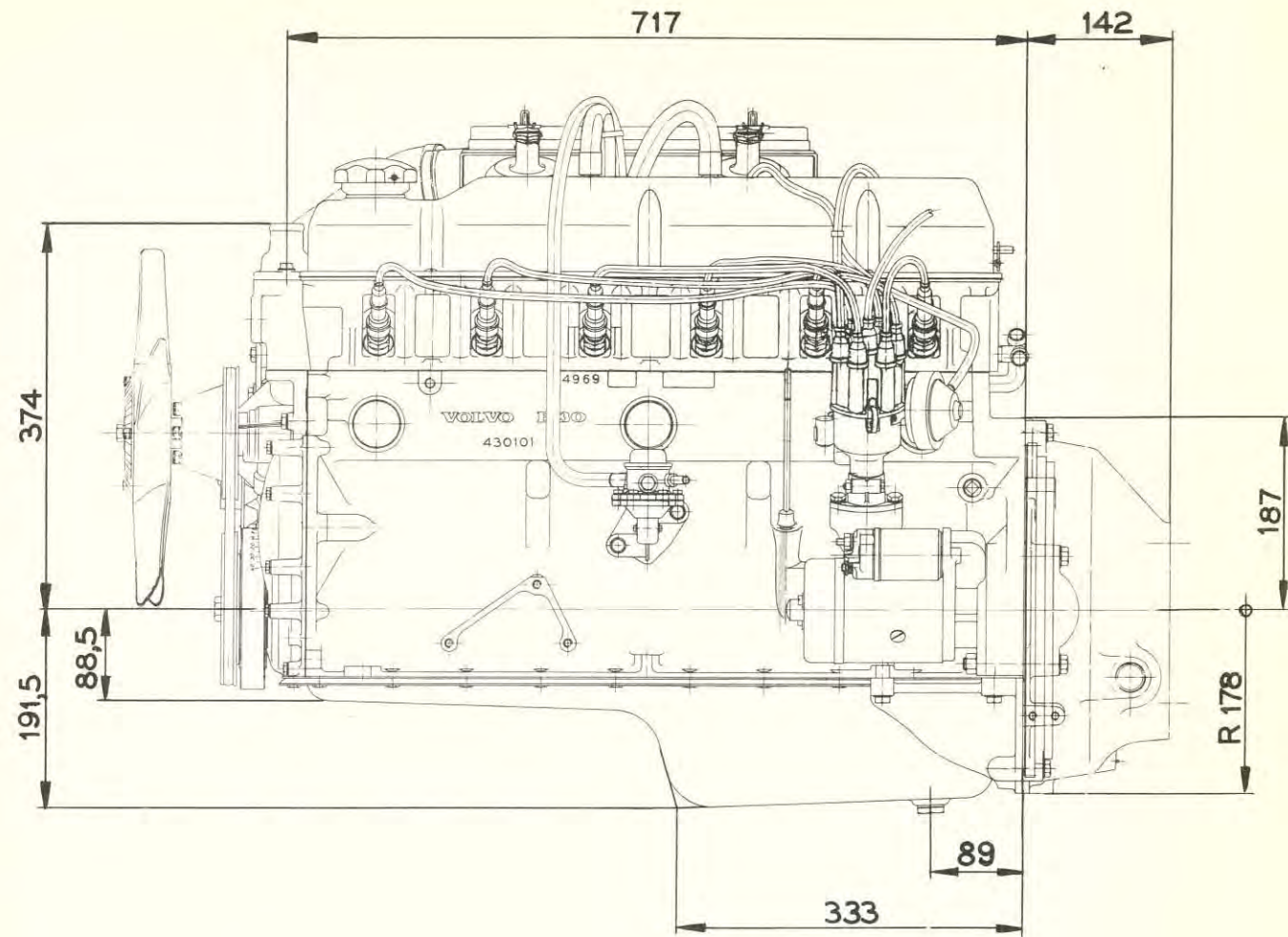
Avd. 2
Section

Typ B 30 A (164)
Type

Förgasarmotor
Petrol engine

10.68

Måttkiss, motor B 30 A
Dimensional drawing, engine B 30 A



VOLVO
300109

Mättskiss, motor B 30 A
Dimensional drawing, engine B 30 A

Skala ca 1:7
Scale ca 1:7